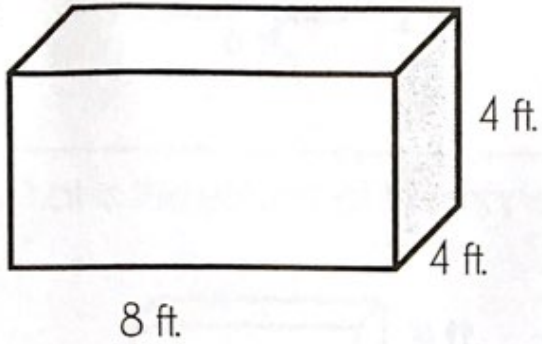


# USING THE VOLUME FORMULA

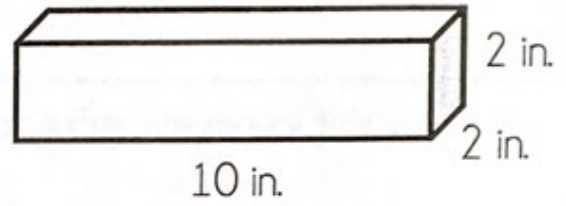
Name: \_\_\_\_\_ Date: \_\_\_\_\_

Directions: Determine the volume of each prism shown.

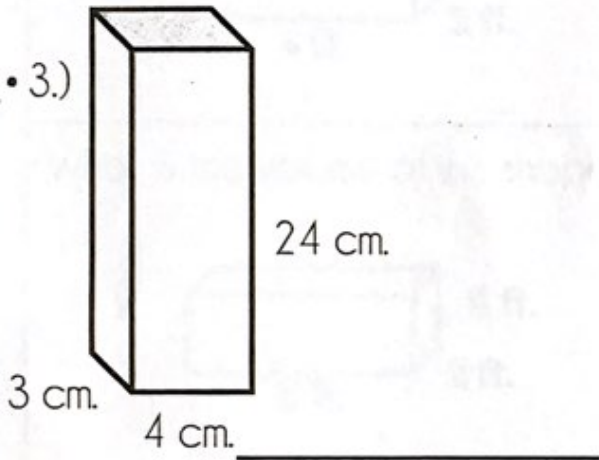
1.)



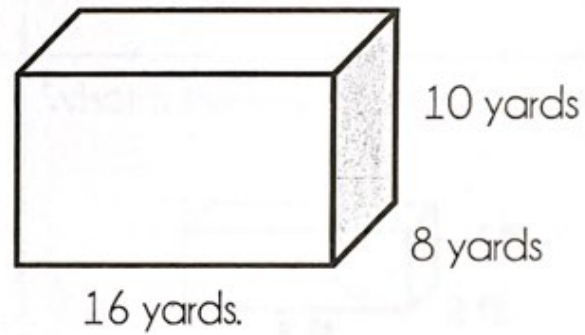
2.)



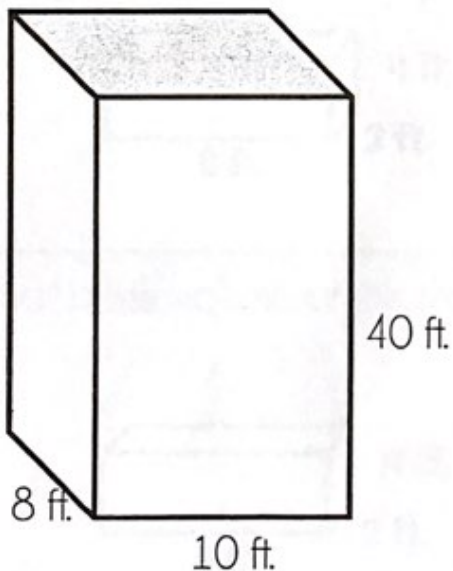
3.)



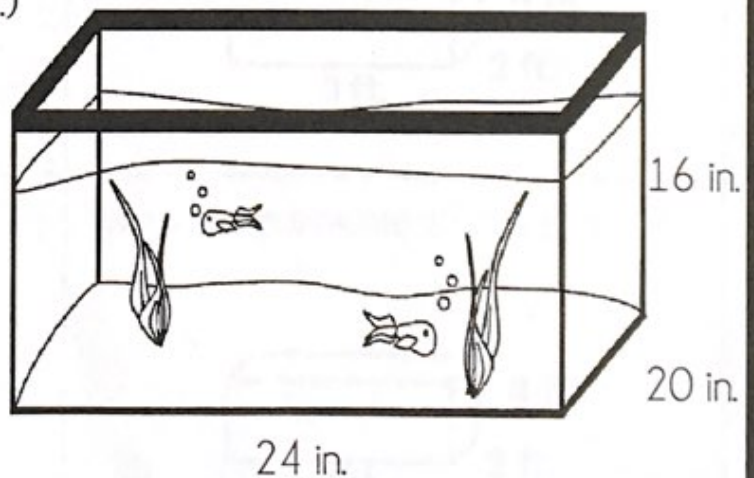
4.)



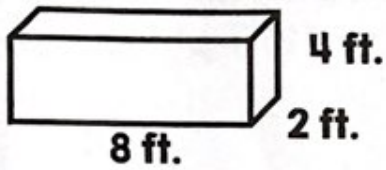
5.)



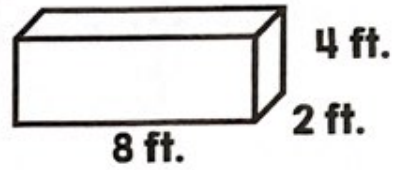
6.)



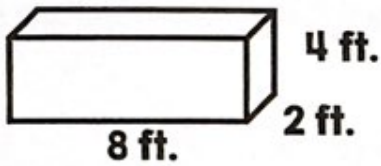
What is the volume of this shape?



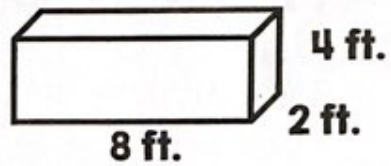
What is the volume of this shape?



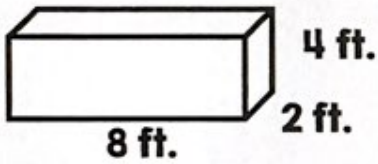
What is the volume of this shape?



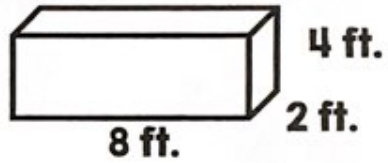
What is the volume of this shape?



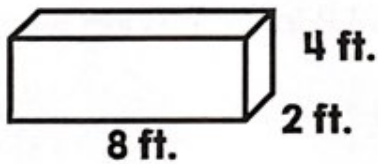
What is the volume of this shape?



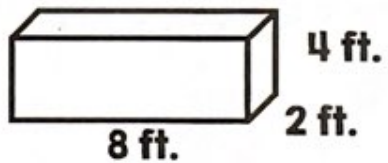
What is the volume of this shape?



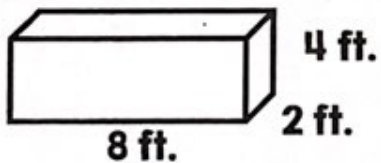
What is the volume of this shape?



What is the volume of this shape?



What is the volume of this shape?



What is the volume of this shape?

